

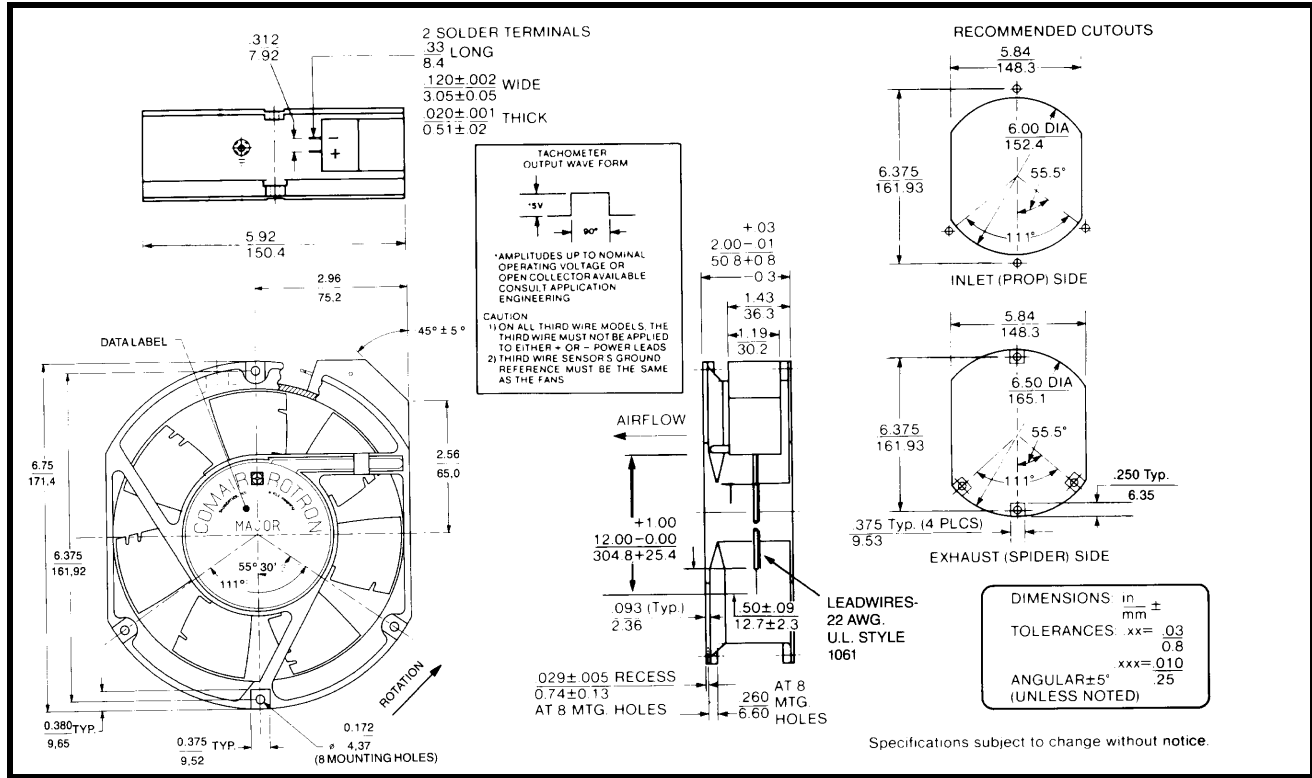
SPECIFICATIONS



Model Number: JQ12C4
Part Number: 19031092A

April 29, 2004

Mechanical Drawing:



Motor:

Nominal Voltage = 12 vdc
 Operating Voltage Range = 9 - 14 vdc
 Nominal Running Current = 1.50 amps
 Locked Rotor Current = 3.40 amps
 Running Power = 18.0 Watts
 Average Speed = 2800 rpm
 Bearings = Ball
 Air Flow = 200 cfm
 Acoustic = 49.0 dBA

Construction:

Venturi: Die-cast Aluminum, Black
 Propeller: Plastic, Black, UL 94V-0

Life Expectancy:

This fan is designed for continuous duty life of 75,000 hours at 40°C.

Additional Features:

Brushless DC Motor
 Locked Rotor Protection
 Polarity Protected
 Automatic Restart Capability
 Operating Temperature: -10°C to 70°C
 Storage Temperature: -40°C to 85°C

Termination:

2 Terminals, Fan Power

Agency Approvals:

UL, CE