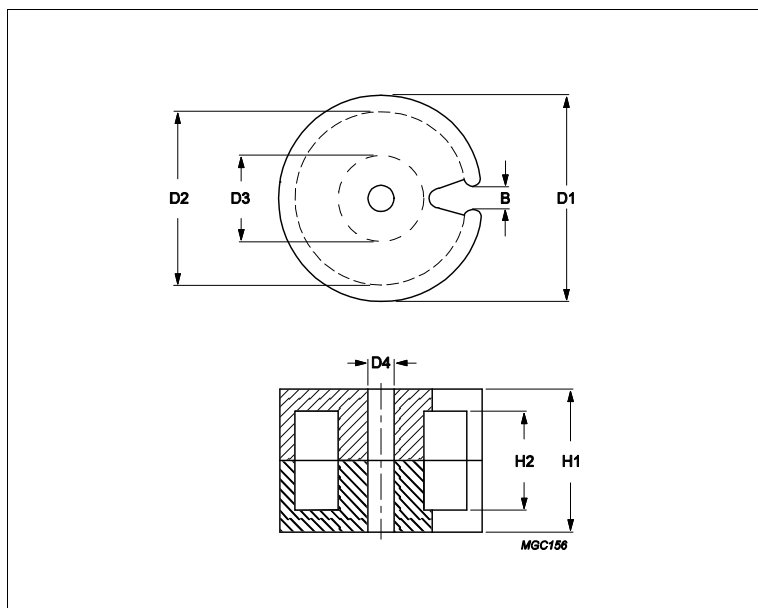


Core **P66/56**



Effective parameters			
	Parameter	Value	Unit
$\Sigma(I/A)$	core factor (C1)	0.172	mm ⁻¹
Ve	effective volume	88200	mm ³
Le	effective length	123	mm
Ae	effective area	717	mm ²
Amin	minimum area	591	mm ²
m	P66/56	≈ 550	g/set

Dimensions for product: P66/56

	Nom	Tol +	Tol -	Max	Min	Unit
B	7.26	0.25	0.25	7.51	7.01	mm
D1	66.29	1.19	1.19	67.48	65.10	mm
D2	54.51	1.02	1.02	55.53	53.49	mm
D3	28.19	0.61	0.61	28.80	27.58	mm
D4	6.50	0.15	0.15	6.65	6.35	mm
H1	57.30	0.50	0.50	57.80	56.80	mm
H2	43.28	0.50	0.50	43.78	42.78	mm

Inductance factor

Material	Value	Tol +	Tol -	Unit
3C91	18200	25%	25%	nH/turns ²
3C95	18200	25%	25%	nH/turns ²

Power loss: 3C91

Measuring conditions			Max	Unit
100 kHz	200 mT	60 °C	52.000	W/set

Power loss: 3C95

Measuring conditions			Max	Unit
100 kHz	200 mT	100 °C	50.000	W/set
100 kHz	200 mT	25 °C	53.000	W/set

Bsat

Measuring conditions			Material	Min	Unit
25 kHz	250 A/m	100 °C	3C91	320	mT

Product specifications

Core **P66/56**

25 kHz	250 A/m	100 °C	3C95	330	mT
--------	---------	--------	------	-----	----

Accessories		
Ordering name	Description	Ordering code
CP-P66/56-1S-C	Coil former, termoplastic	432202106561