

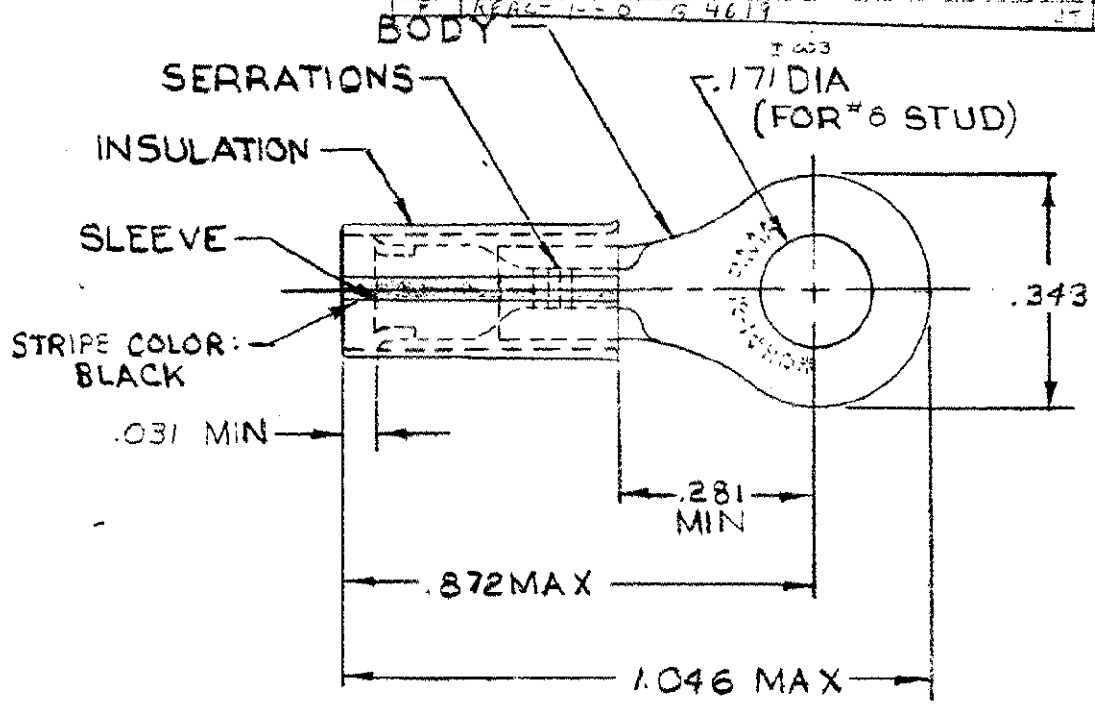
320627

DRAWING MADE IN AMERICAN PROJECTION

LOC **G** PRINT DIST **14 F**

© 1957 BY AMP INCORPORATED. ALL RIGHTS RESERVED. AMP PRODUCTS COVERED BY PATENTS AND/OR PATENTS PENDING.

REVISIONS			
LTR	DESCRIPTION	DATE	APPROVED
G	REV/0720-0060-93	4-2-93	TQ/ml
D	REVISED ECN P-6932	3-14-72	fm
E	OBS. 1--0 Rev G 2588	BT 10-9-87	Pinf
F	REAS. 1--0 G 4619	BT 2-25-88	p. 111



FOR .150 TO .230 WIRE INSULATION DIA.
TONGUE MATERIAL THK = .048^{±.002}

QTY	DESCRIPTION	PART NO.	MATERIAL & FINISH
50	LOOSE PC. BOX	8-320627-2	
1	320627 ON TAPE	1-320627-0	BODY & SLEEVE: COPPER (QQ-C-576) TIN PL (MIL-T-10727)
1	WIRE TERMINAL	320627	INSULATION: NYLON (MIL-M-20693) TYPE I COLOR: YELLOW

UNLESS OTHERWISE SPECIFIED, DIMENSIONS ARE IN INCHES. TOL. RANGE: DECIMALS ANGLES

SEE TABLE

DR. 3-11-71
CHK. 3-12-71
APPR. 3-15-71

AMP AMP INCORPORATED
HARRISBURG, PENNSYLVANIA

NAME: WIRE TERMINAL
P.I.D. 6-RING TONGUE
WIRE SIZE: 16-14 H.D.

SIZE	COORDINATE NO.	NUMBER
A	00779	320627

SCALE: NTS SHEET 1 OF 1