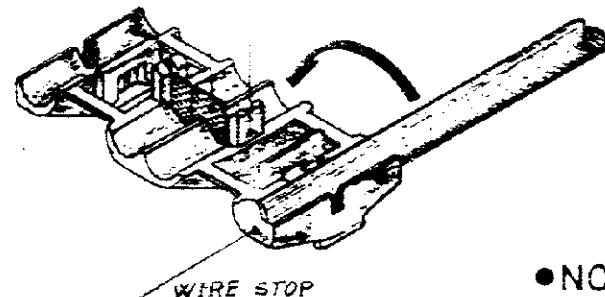


DIBUJADO EN PROYECCIONES AMERICANAS EUROPEAS

		REVISIONS				
P	F	ZONE	LTR	DESCRIPTION	DATE	APPROVED
			A1	REVISED PER ECO-11-005294	13APR11	HMR

Fig.1 Positive lock for secure tap



1<sup>st</sup> STEP

LAY THE CONDUCTOR IN THE HOUSING AS SHOWN

2<sup>nd</sup> STEP

FOLD UP THE HOUSING ACCORDING THE ARROW TILL LEAN THE CONDUCTOR AGAINST THE CONTACT

- NO SPECIAL TOOLS
- NO WIRE STRIPPING
- FOR SOLID OR STRANDED WIRE OF SECTION 4 TO 6 mm
- EASY ASSEMBLY

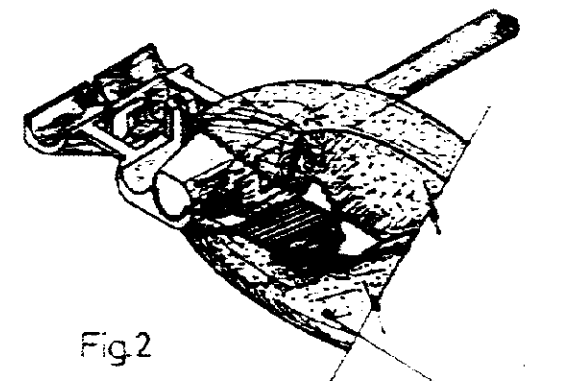


Fig.2

3<sup>rd</sup> STEP

SQUEEZE WITH TOOLING (PLIERS FIG 2) TILL POSITIVE LOCK IS LATCHED

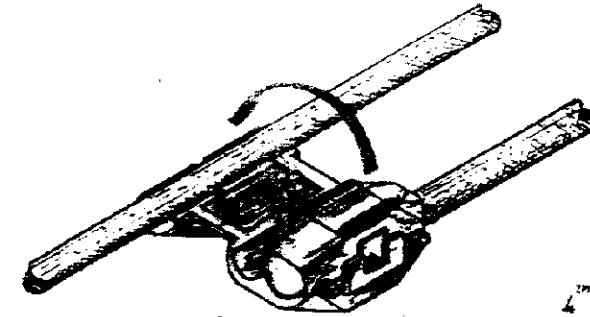
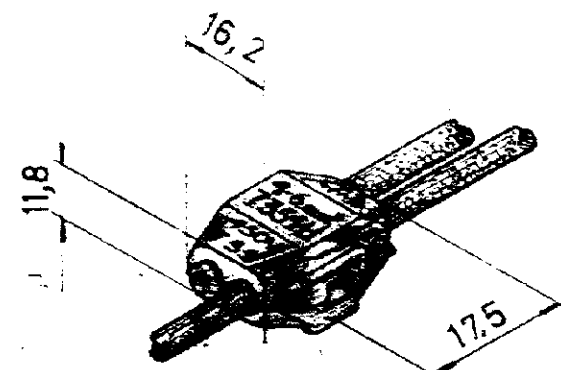


Fig.3

4<sup>th</sup> STEP

FOLD UP ACCORDING THE ARROW (FIG.3) TILL LEAN THE CONTACT AGAINST THE CONDUCTOR



5<sup>th</sup> STEP

SQUEEZE TILL LATCH THE POSITIVE LOCK  
FINISHED ASSEMBLY

DIMENSIONES EN M.M.

UNITS	MM
SCALE	1:1

735411	LATON NYLON	TIN PLATED
P.N.	MATERIAL	ACABADO
PLANO DE CLIENTE SOLO PARA REFERENCIA		
FECHA Domingo 3.9.92	FECHA	
FECHA	FECHA	
SECCION 4-6mm <sup>2</sup>	SECCION AISLANTE P 5 mm <sup>2</sup>	FINNER USO General
ESCALA 1:1	LOC AL	B
APR.	FECHA	N°
NOMBRE		PN-735411
ELECTRO TAP CONNECTOR		

8 7 6 5 4 3 2 1