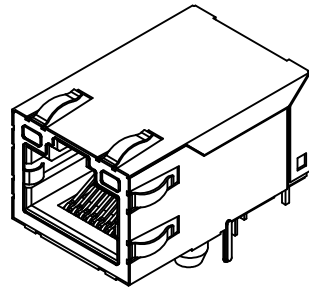


NOTES:

- 1.MATERIAL:
 METAL SHELL: BRASS
 HOUSING: POLYAMIDE,UL94-0,COLOR BLACK
 INSERT: POLYAMIDE,UL94-0,COLOR BLACK
 TERMINAL: PHOSPHOR BRONZE
- 2.PLATING:
 TERMINAL:
 CONTACT AREA: GOLD(Au),THICKNESS=50 MICROINCH/1.27 MICROMETER
 SOLDER TAIL: TIN(Sn),THICKNESS=100 MICROINCH MINIMUM
 UNDER PLATE: NICKEL (Ni).THICKNESS=50 MICROINCH/1.27 MICROMETER
 METAL SHELL:
 SOLDER AREA: TIN(Sn),THICKNESS=100 MICROINCH MINIMUM
 UNDER PLATE: NICKEL (Ni),(SOLDERING AVAILABLE)
 SURFACE APPEARANCE: BRIGHT.
- 3.RECOMMENDED PCB THICKNESS: 1.60±0.05
- 4.PRODUCT SPECIFICATION REFER TO PS-48025-002
- 5.TEST SUMMARY REFER TO TS-48025-005
- 6.PACKAGING SPECIFICATION REFER TO PK-48025-001
- 7.LEAD FREE AND ROHS COMPLIANCE PRODUCT.



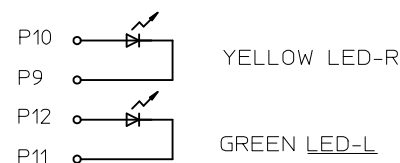
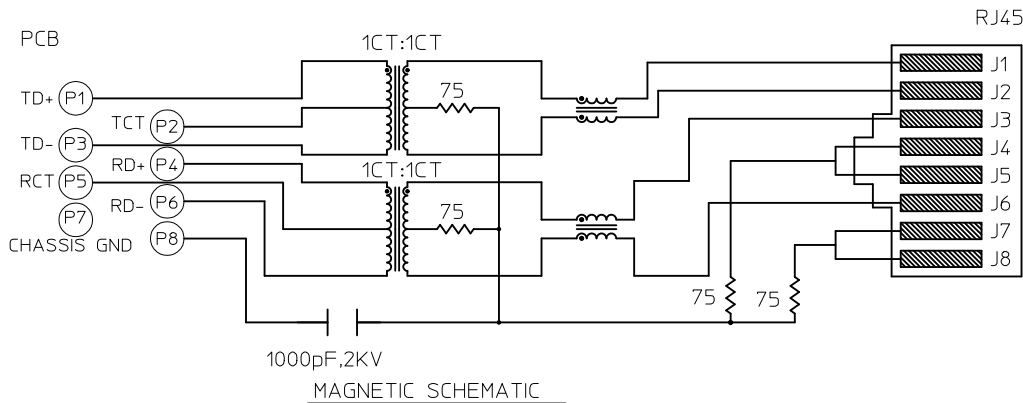
RELEASED EC NO: SH2012-0381 DRWN:RL 109 2012/05/23 CHKD: APPR:RZHANG 2012/06/22	QUALITY SYMBOLS ▽=0 ▽=0	GENERAL TOLERANCES (UNLESS SPECIFIED)		DIMENSION STYLE MM ONLY		SCALE 1:1	DESIGN UNITS METRIC	THIRD ANGLE PROJECTION		
			mm	INCH	DRAWN BY COLIN DUAN	DATE 2005/06/01	TITLE MODULAR JACK WITH INTEGRATED MAGNETICS LED (LEAD FREE VERSION)			
		4 PLACES	± ---	± ---	CHECKED BY ALLEN LIN	DATE 2005/06/01				
		3 PLACES	± ---	± ---	APPROVED BY WILSON CHANG	DATE 2005/06/01				
		2 PLACES	± 0.25	± ---	MATERIAL NO. 48025-4000		DOCUMENT NO. SD-48025-005	SHEET NO. 1 OF 2		
		1 PLACE	± 0.25	± ---	THIS DRAWING CONTAINS INFORMATION THAT IS PROPRIETARY TO MOLEX INCORPORATED AND SHOULD NOT BE USED WITHOUT WRITTEN PERMISSION					
		0 PLACE	±	±						
		ANGULAR ± 3 °								
		DRAFT WHERE APPLICABLE MUST REMAIN WITHIN DIMENSIONS								

MAGNETIC ELECTRICAL SPECIFICATIONS:

- 1.0 TURNS RATIO:(P4-P5-P6):(J3-J6):1CT:1CT
(P3-P2-P1):(J1-J2):1CT:1CT
- 2.0 INDUCTANCE:(P4-P6):350uH MIN. @0.1V,100KHz,8mA DC Bias.
(P3-P1):350uH MIN. @0.1V,100KHz,8mA DC Bias.
- 3.0 LEAKAGE INDUCTANCE:P6-P5-P4(WITH J6 AND J3 SHORT):0.3 MAX.@1MHz.
P3-P2-P1(WITH J2 AND J1 SHORT):0.3 MAX.@1MHz.
- 4.0 INTERWINDING CAPACITANCE:(P6,P5,P4) TO (J6,J3):30pf MAX @1MHz.
(P3,P2,P1) TO (J2,J1):30pf MAX @1MHz.
- 5.0 DC RESISTANCE:(J6-J3)=(J2-J1):1.3 ohms Max.
- 6.0 RETURN LOSS:(P4-P6)(P1-P3)
1MHz TO 30MHz:18dB min.
30MHz TO 80MHz:12dB min.
NOTE:100 OHMS CONNECTED TO (J2-J1) OR (J3-J6).
- 7.0 HI-POT:(J1,J2) TO (P1,P3):1500 VAC OR 2250 VDC.
J3,J6 TO (P4,P6):1500 VAC OR 2250 VDC.
- 8.0 INSERTION LOSS:1.1 dB MAX.
100KHz TO 100MHz.
- 9.0 CROSS TALK:1-100 MHz:30 dB MIN.
- 10.0 COMMON TO COMMON MODE REJECTION:1MHz TO 100MHz:35 dB MIN.

LED ELECTRICAL SPECIFICATION

PARAMETER	YELLOW (TYP.)	GREEN (TYP.)	UNITS	TEST CONDITIONS
POWER DISSIPATION	105	105	mW	
REVERSE VOLTAGE	5	5	V	
PEAK WAVELENGTH	585	565	nm	IF=20mA
FORWARD VOLTAGE	2.1 MAX.=2.5	2.2 MAX.=2.5	V	IF=20mA



LED SCHEMATIC

RELEASED EC NO: SH2012-0381 DRW:RL109 2012/05/23 CHKD: APPR:RZHANG 2012/06/22 DESCRIPTION REV	QUALITY SYMBOLS	GENERAL TOLERANCES (UNLESS SPECIFIED)		DIMENSION STYLE		SCALE	DESIGN UNITS	THIRD ANGLE PROJECTION		
	▼=0 ▽=0	mm	INCH	MM ONLY		1:1	METRIC			
		4 PLACES ± --- ± ---	3 PLACES ± --- ± ---	DRAWN BY	DATE	TITLE				
		2 PLACES ± 0.25 ± ---	1 PLACE ± 0.25 ± ---	COLIN DUAN	2005/06/01	MODULAR JACK WITH INTEGRATED MAGNETICS LED (LEAD FREE VERSION)				
		0 PLACE ± ±	ANGULAR ± 3 °	CHECKED BY	DATE					
	DRAFT WHERE APPLICABLE MUST REMAIN WITHIN DIMENSIONS		ALLEN LIN	2005/06/01	MATERIAL NO.					
			48025-4000		SD-48025-005		2 OF 2			
			THIS DRAWING CONTAINS INFORMATION THAT IS PROPRIETARY TO MOLEX INCORPORATED AND SHOULD NOT BE USED WITHOUT WRITTEN PERMISSION							