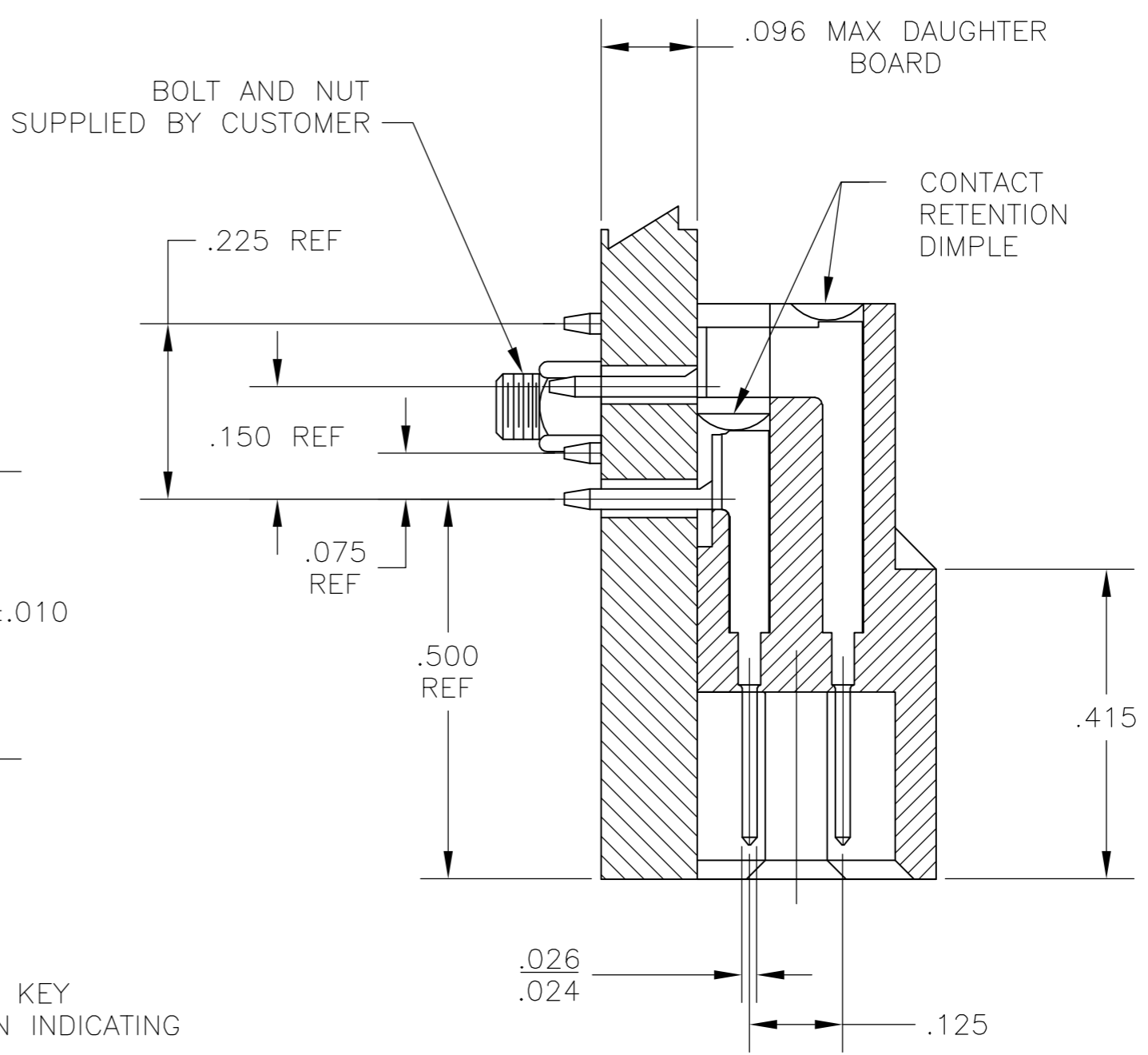
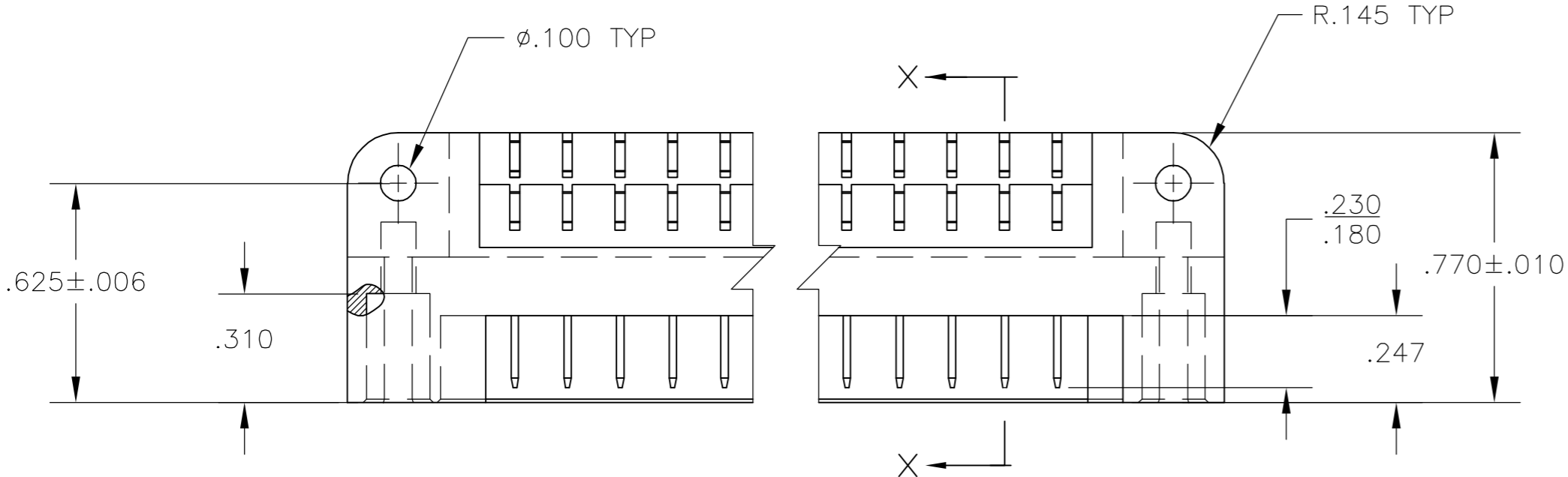
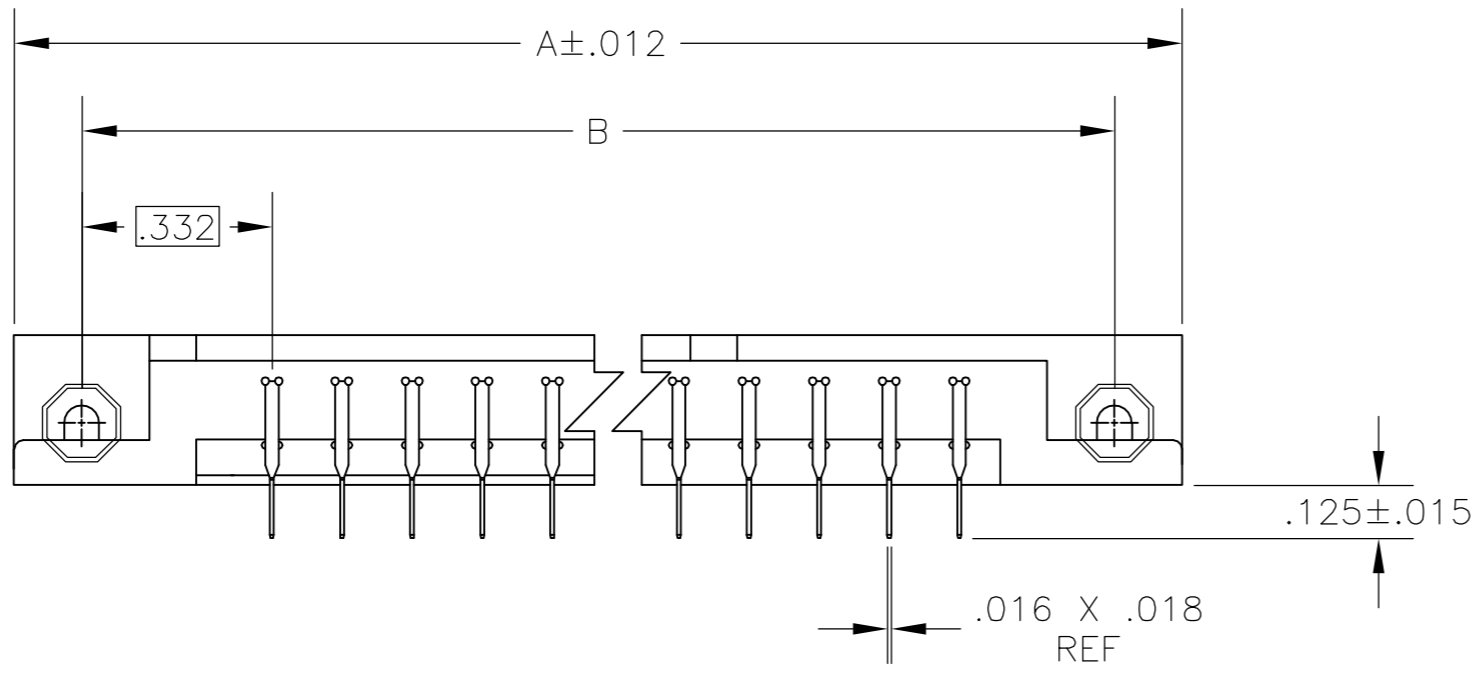
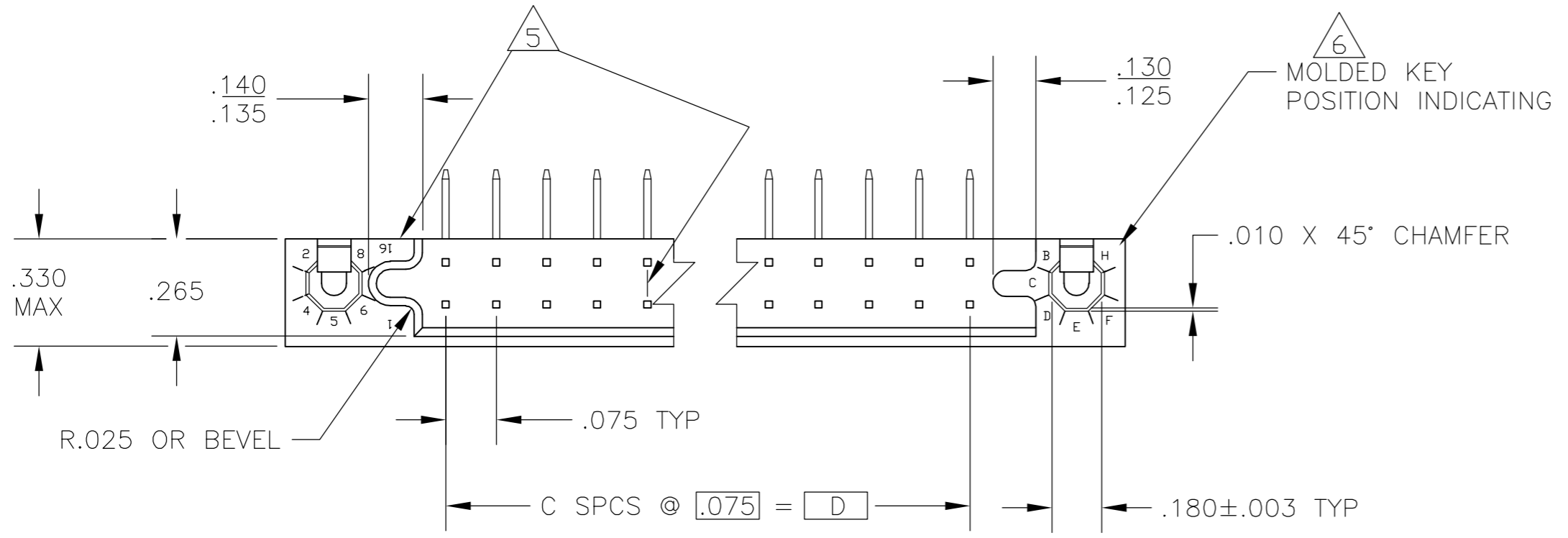


THIS DRAWING IS UNPUBLISHED. RELEASED FOR PUBLICATION
 © COPYRIGHT BY TYCO ELECTRONICS CORPORATION. ALL RIGHTS RESERVED.

LOC		DIST		REVISIONS			
P	LTR	DESCRIPTION		DATE	DWN	APVD	
DF	X5	D	REV PER ECO	05-015613	18JAN06	BL	CCT



SECTION X-X
SCALE 10:1

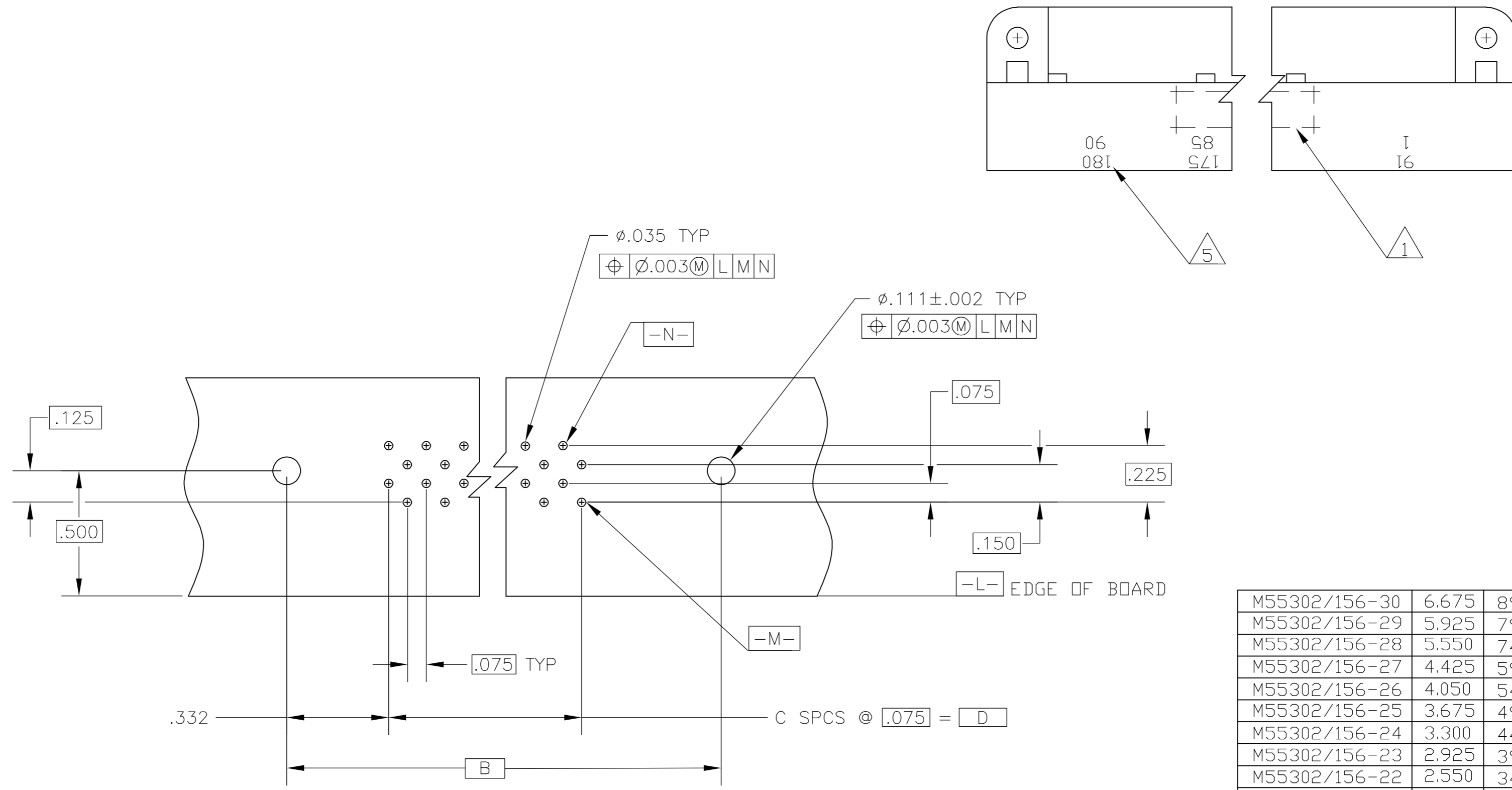


THIS DRAWING IS A CONTROLLED DOCUMENT.		DWN B. LATTUCA 18JAN2006	Tyco Electronics Corporation Harrisburg, PA 17105-3608	
DIMENSIONS: INCHES	TOLERANCES UNLESS OTHERWISE SPECIFIED:	CHK C. C. THOMAS 18JAN2006	NAME C. C. THOMAS	
	0 PLC ± -	APVD C. C. THOMAS 18JAN2006	PRODUCT SPEC	
	1 PLC ± -	APPLICATION SPEC	-	
	2 PLC ± -	WEIGHT	-	
	3 PLC ± -	SIZE	A2	
	4 PLC ± -	CAGE CODE	00779	
	ANGLES ± -	DRAWING NO	C=531720	
MATERIAL	FINISH	RESTRICTED TO	-	
		SCALE	1:1	
CUSTOMER DRAWING		SHEET	1 of 2	
		REV	D	

531720

THIS DRAWING IS UNPUBLISHED. RELEASED FOR PUBLICATION
 © COPYRIGHT BY TYCO ELECTRONICS CORPORATION. ALL RIGHTS RESERVED.

LOC		DIST		REVISIONS			
P	LTR	DESCRIPTION		DATE	DWN	APVD	
DF	X5	D		REV PER ECO 05-015613	18JAN2006	BL CCT	



RECOMMENDED P.C. BOARD LAYOUT
(CONNECTOR SIDE)

- ① AMP, PART NUMBER, MILITARY PART NO, DATE CODE, & 00779 MARKED THIS AREA.
- ② HOUSING MATERIAL: GLASS FILLED POLYESTER. COLOR: BLUE.
- ③ CONTACT MATERIAL: BRASS
FINISH: .000050 GOLD OVER .000050 NICKEL IN CONTACT AREA, TIN-LEAD PLATE OVER NICKEL ON SOLDER TAILS.
MIL-C-55302 GROUP A INSPECTION REQUIRED
- ⑤ NUMBERS & LINES INDICATING EVERY 5 CAVITIES MARKED ON MATING FACE. NUMBERS INDICATING EVERY 5 CAVITIES MARKED ON SIDE.
- ⑥ KEY POSITION IDENTIFICATION MOLDED ON SURFACE SHOWN.

M55302/156-30	6.675	89	7.340	7.630	180	1-531720-5
M55302/156-29	5.925	79	6.590	6.880	160	1-531720-4
M55302/156-28	5.550	74	6.215	6.505	150	1-531720-3
M55302/156-27	4.425	59	5.090	5.380	120	1-531720-2
M55302/156-26	4.050	54	4.715	5.005	110	1-531720-1
M55302/156-25	3.675	49	4.340	4.630	100	1-531720-0
M55302/156-24	3.300	44	3.965	4.255	90	531720-9
M55302/156-23	2.925	39	3.590	3.880	80	531720-8
M55302/156-22	2.550	34	3.215	3.505	70	531720-7
M55302/156-21	2.175	29	2.840	3.130	60	531720-6
M55302/156-20	1.800	24	2.465	2.755	50	531720-5
M55302/156-19	1.425	19	2.090	2.380	40	531720-4
M55302/156-18	1.050	14	1.715	2.005	30	531720-3
M55302/156-17	.675	9	1.340	1.630	20	531720-2
M55302/156-16	.300	4	.965	1.255	10	531720-1
MILITARY PART NUMBER	D	C	B	A	NO OF POS	PART NO

THIS DRAWING IS A CONTROLLED DOCUMENT.		DWN B. LATTUCA 18JAN2006	Tyco Electronics Corporation Harrisburg, PA 17105-3608			
DIMENSIONS: INCHES	TOLERANCES UNLESS OTHERWISE SPECIFIED:	CHK C.C. THOMAS 18JAN2006	NAME C.C. THOMAS 18JAN2006			
	0 PLC ± -	APVD C.C. THOMAS 18JAN2006	PRODUCT SPEC			
	1 PLC ± -	APPLICATION SPEC	-			
MATERIAL	FINISH	WEIGHT	SIZE	CAGE CODE	DRAWING NO	RESTRICTED TO
② ③	③	-	A2	00779	C=531720	-
CUSTOMER DRAWING			SCALE	SHEET	REV	
			1:1	2 of 2	D	