

NOTES: UNLESS OTHERWISE SPECIFIED

1. CONSTRUCTION:

HOUSING & PLUNGER: MOLDED NYLON TYPE 6,6.
 AVAILABLE IN TEN COLORS.
 CONTACT BLADE: NICKEL SILVER ALLOY CA 770.
 SPRING: STAINLESS STEEL TYPE 302.

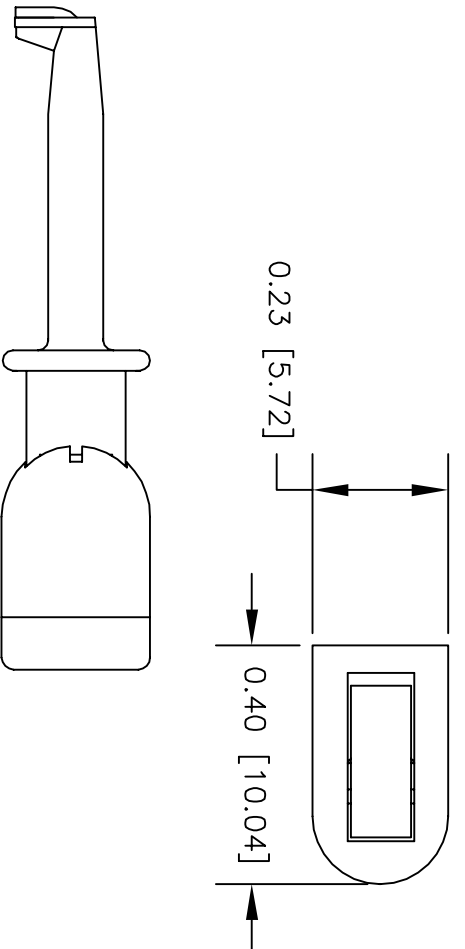
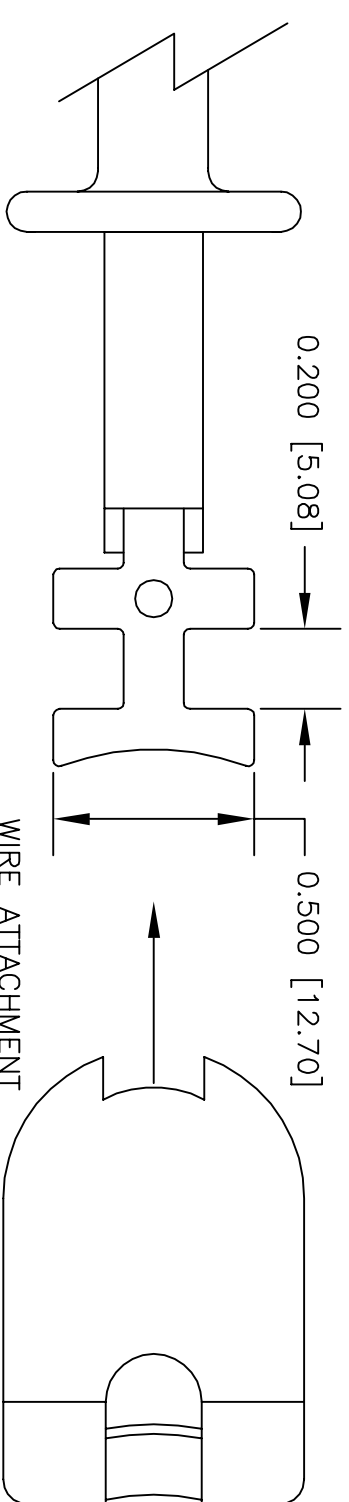
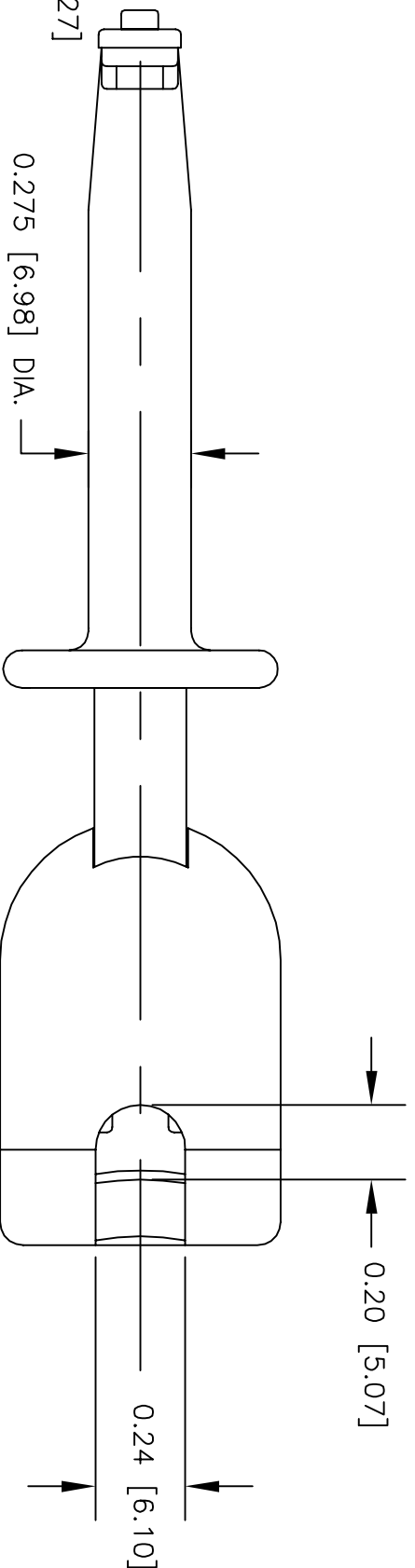
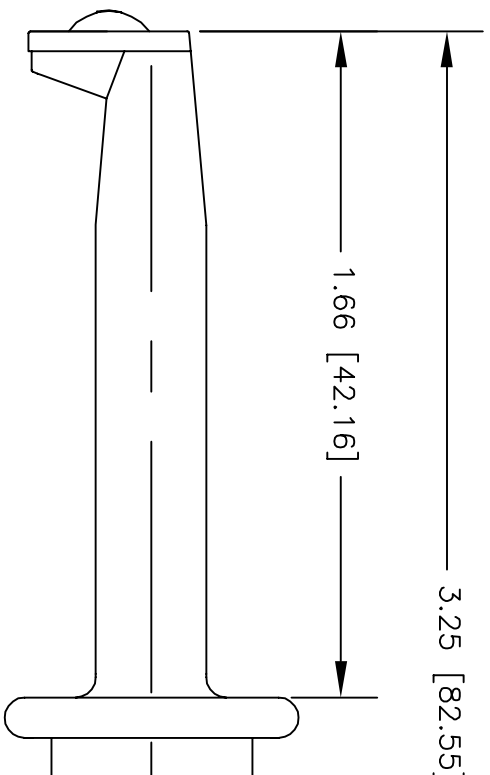
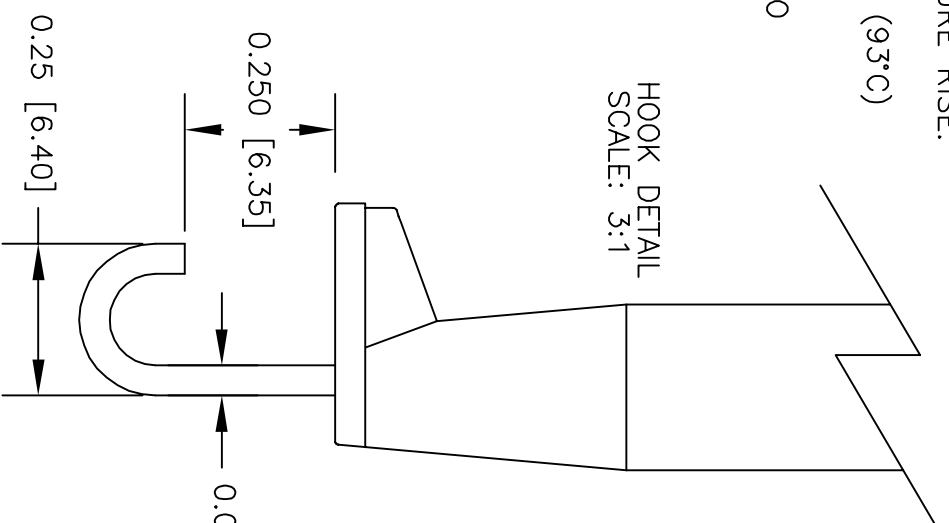
2. PERFORMANCE:

MAXIMUM CURRENT: 13.1 AMPS WITH A 76°
 TEMPERATURE RISE.
 MAXIMUM VOLTAGE: 2.4 KV
 MAXIMUM TEMPERATURE: 200°F (93°C)

3. FEATURES:

HOOK FITS COMPONENTS UP TO
 Ø0.140" [3.56].
 FIELD SERVICEABLE.

HOOK DETAIL
 SCALE: 3:1



ACTUAL SIZE

REVISIONS		DATE	APPROVED
LTR	DESCRIPTION		

UNLESS OTHERWISE SPECIFIED DIMENSIONS ARE IN INCHES TOLERANCES ARE: FRACTIONS DECIMALS ANGLES		CONTRACT NO.	
± .XX ±	± .XXX ±	APPROVALS	DATE
MATERIAL SEE NOTE.		R.L.	6/09
FINISH SEE NOTE.		APPROVED BY	
APPLICATION		DO NOT SCALE DRAWING	
NEXT ASSY	USED ON	SIZE	CODE IDENT NO.
		B	08505
		SCALE	DRAWING NO.
		2:1	XH
DESCRIPTION		REV.	
E-Z-MACRO HOOK TEST CONNECTOR			
E-Z-HOOK DIVISION OF TEKTEST INC. ARCADIA, CA 91006 U.S.A.		SHEET 1 OF 1	

THE INFORMATION CONTAINED IN THIS DOCUMENT IS PROPRIETARY TO E-Z-HOOK. THE INFORMATION IS NOT TO BE REPRODUCED WITHOUT PRIOR WRITTEN PERMISSION OF E-Z-HOOK, DIV. OF TEKTEST INC. MAXIMUM TESTED RATINGS IN A HANDS-FREE CONTROLLED ENVIRONMENT. MAXIMUM RATINGS ARE NOT TO BE USED CONCURRENTLY.