

Model No: BC25SC08-08

Product Line: Tymphany

Rev: 1

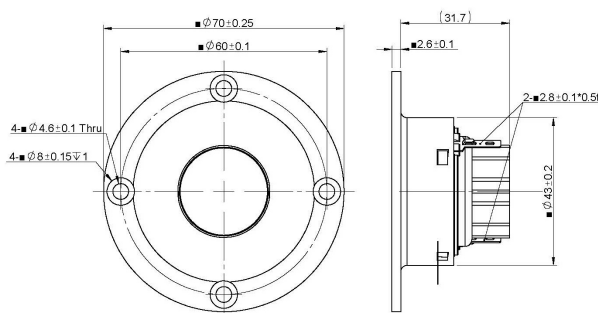
Last Update: 2017-04-21 12:39:42

Product Description

This BC family tweeter features a 8 ohm 25 mm voice coil, a damped fabric dome for smooth frequency response performance, a bucking magnet for higher sensitivities, and ferrofluid in the gap of the NdFeB motor, providing enhanced cooling of the voice coil. The tweeter comes with a bucking magnet and a compact faceplate with recessed mounting holes, greatly increasing the sensitivity of the tweeter. A finned heat sink has been added for improved power handling.



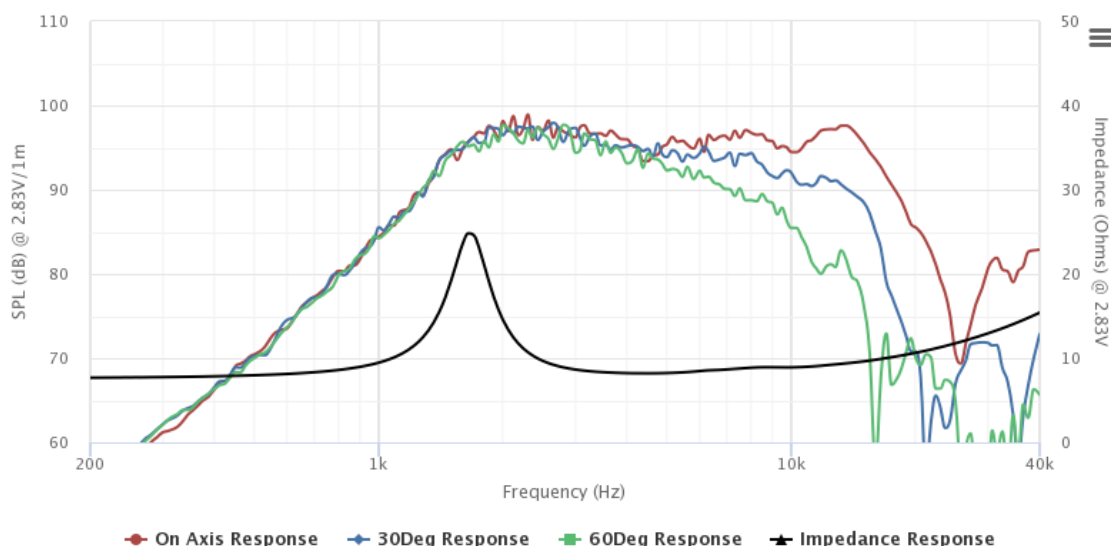
Mechanical Drawing



Specifications

DC Resistance	Revc	Ohms	6.57	5.0%	Energy Bandwidth Product	EBP	(1/Qes)*fs
Minimum Impedance	Zmin	Ohms	8.2	7.5%	Moving Mass	Mms	g
Voice Coil Inductance	Le	mH	0.03		Suspension Compliance	Cms	um/N
Resonant Frequency	Fs	Hz	1731.62	15%	Effective Cone diameter	D	cm
Mechanical Q Factor	Qms		4.23		Effective Piston Area	Sd	cm ²
Electrical Q Factor	Qes	1.83			Effective Volume	Vas	L
Total Q Factor	Qts	1.28			Motor Force Factor	BL	Tm
Ratio Fs/Qts	F	Fs/Qts	1353.89		Motor Efficiency Factor	β	(T*M ²)/Ohms
Half Space Sensitivity @2.83V	db@2.83V/1M	dB	93.99	+/- 1.0db	Voice coil former Material	VCfm	KSV
Half Space Sensitivity @1W/1M	db@1W/1M	dB	94.1	+/- 1.0db	Voice coil inner diameter	VCd	mm
Gap Height	Gh	mm	2		Rated Noise Power	P	W
Maximum Linear Excursion	Xmax	mm	0		Test Spectrum Bandwidth		2.5kHz~20kHz
Ferrofluid Type	FF		APG O27N		Driver Size	Inch	25 mm
Driver Mass	Kg	0.08					

Frequency and Impedance Response



Highcharts.com