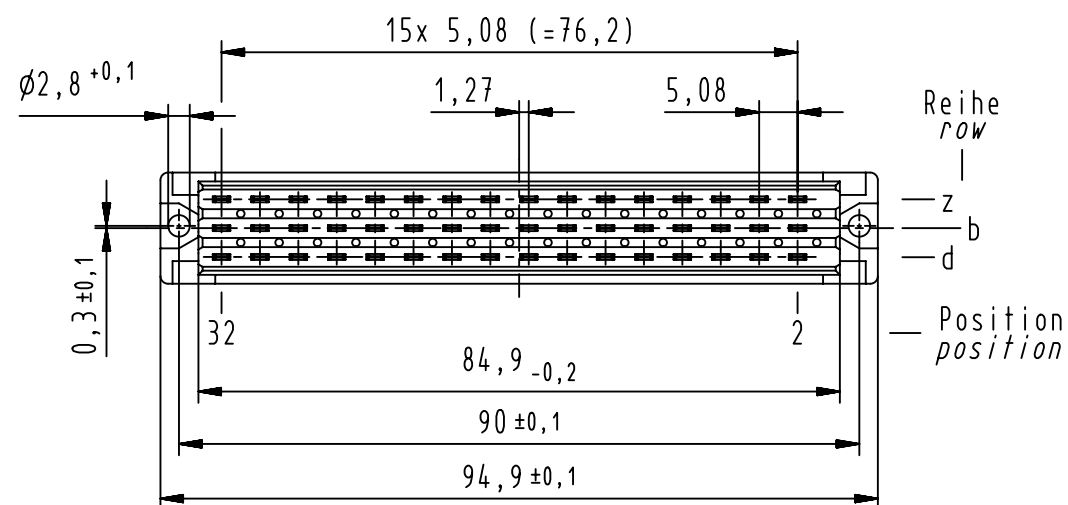
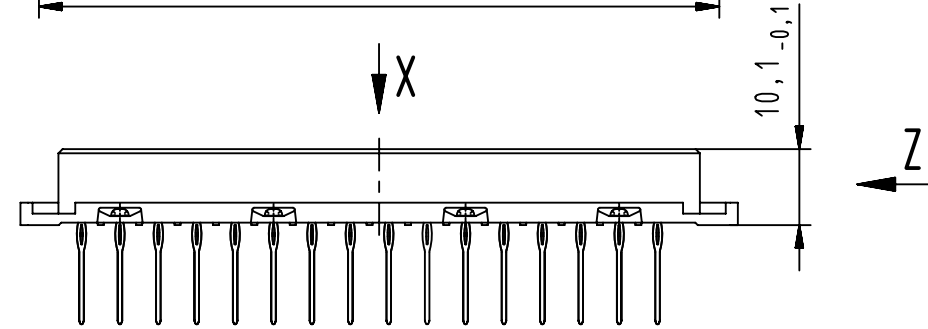
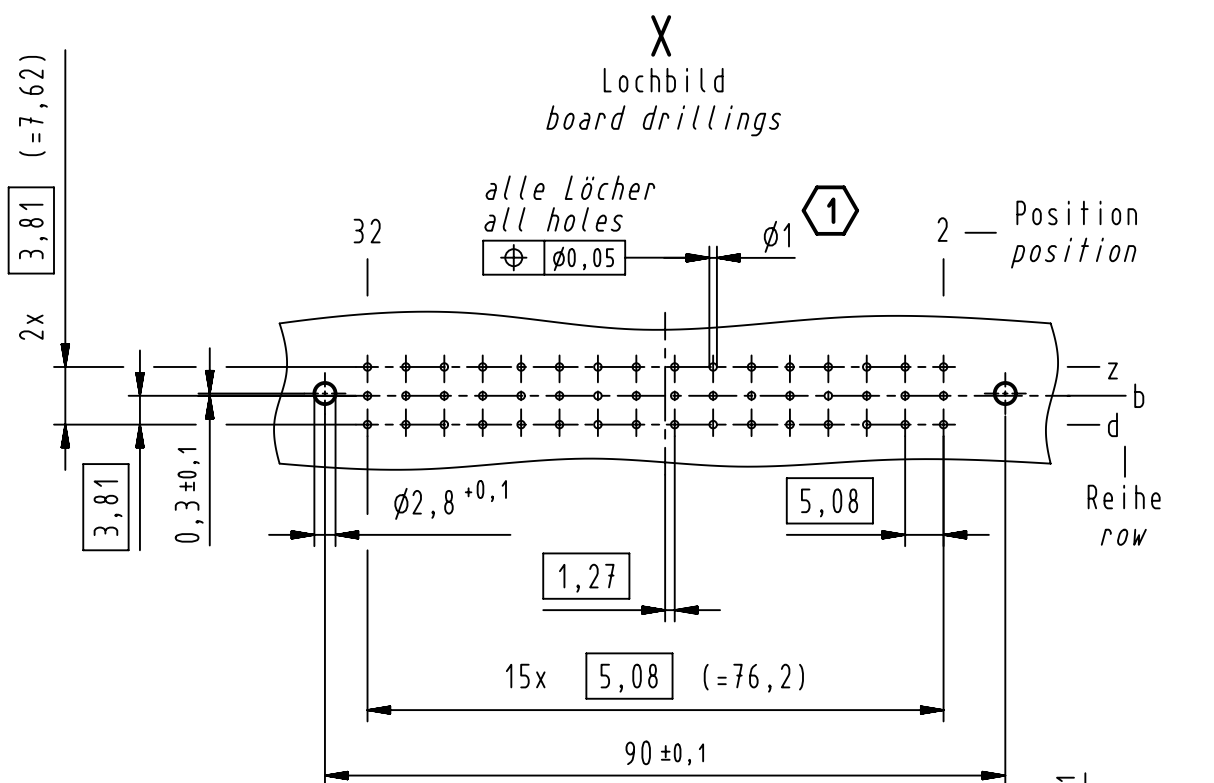
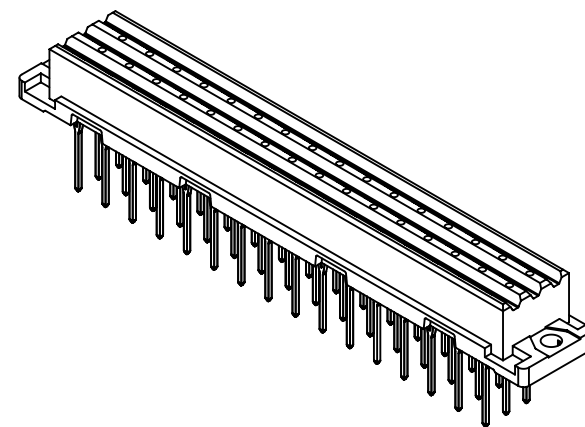
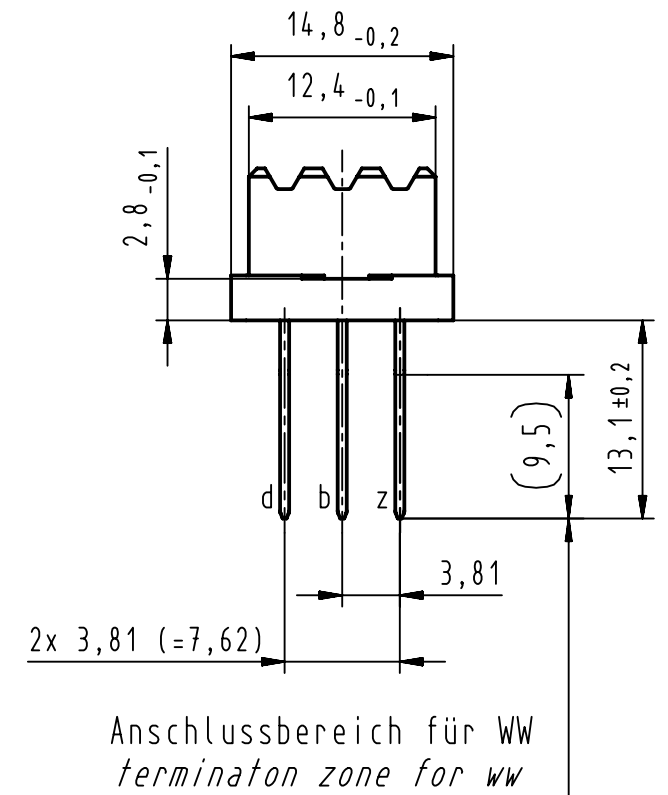


48 Einpress Kontakte
48 press-in contacts

Z (2:1)



1 Empfohlener Lochaufbau und
weitere Informationen siehe: DS 09 06 210 00 02
recommended configuration of plated through holes
and further information see: DS 09 06 210 00 02

09 06 248 7837	3
09 06 248 6837	2
09 06 248 2837	1
Bestell-Nr. part-no.	Anforderungsstufe performance level 1

	All Dimensions in mm Original Size DIN A3	Scale 1:1	Free size tol. complementary IEC 60603-2	Ref. Sub. TB 0906248x837 Mod. 36054 15.06.10	
	All rights reserved Department EC PD - DE	Created by HAGEMEYERE	Inspected by LEHNERT	Standardisation HOFFMANN	Date 2013-01-15
HARTING Electronics GmbH D-32339 Espelkamp		Title DIN Power type F low-prof. fem. press-in			Doc-Key / ECH-Nr. 100102874/UGD/017/B 50000057951
		Type TB	Number 0906248X837		Rev. B Page 1/1