

LOC	DIST	REVISIONS					
A	66	P	LTR	DESCRIPTION	DATE	DWN	APVD
			B1	SEE PRODUCT DRAWING	-	-	-


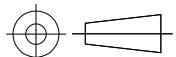
SEE PRODUCTION DRAWING
1855530

THIS DRAWING IS UNPUBLISHED.

ALL INTERNATIONAL RIGHTS RESERVED.

BY TYCO ELECTRONICS CORPORATION.

© COPYRIGHT

DIMENSIONS: INCHES	DWN	M.YOUNGER	14JAN2010	MATERIAL	-	FINISH	-
	CHK	-	-	 Tyco Electronics Corporation Harrisburg, PA 17105-3608			
TOLERANCES UNLESS OTHERWISE SPECIFIED:	APVD	-	-				
	0 PLC	± -	PRODUCT SPEC	ULTRA POD APPLICATOR			
1 PLC	± -	APPLICATION SPEC	.250 STRAIGHT				
2 PLC	± -	WEIGHT	-	SIZE	A4	CAGE CODE	00779
3 PLC	± -			DRAWING NO	C-1855530		RESTRICTED TO
4 PLC	± -						-
ANGLES	± -			CUSTOMER DRAWING			SCALE
				1:1	SHEET	1 OF 1	REV
							B1