

5

4

3

2

1

D



Description: Stright BNC Crimp Plug For Belden 8218 Style Cable

Part No: CPMC8818

Application: For Cable Belden 8218 Style

Crimp Tool: 24-9912P

Impedance: 50 Ohms

Fequency Range: 0-4 GHz

Material: Body Brass Nickel Plated
 Contact Brass Gold Plated
 Insulator PTFE
 Crimp Sleeve Brass Nickel Plated
 Coupling Nut Zinc Nickel Plated

RoHS Compliance: Yes

Technical Detail: Refer to Emerson Document P/N 27-0000

DRAWING NO.	
CPMC8818-CUST	
REVISIONS	
01	OFFICAL RELEASE
	03-05-09 Z G B Y T
02	RELEASE FOR SUPPLIER ALTER
	07-27-11 Y G Y G M L <i>Lin Ma</i> <small>001.07.28 14:51:16 -0800</small>

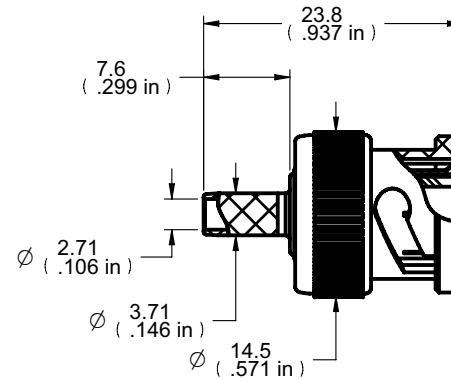
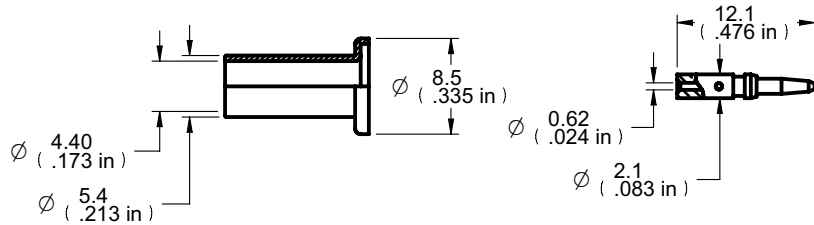
D

C

C

B

B



DIM OUTLINE

CUSTOMER COPY

A

A

受控 CONTROLLED DOCUMENT					
编号 P/N	CPMC8818-CUST	版本 Rev	02	日期 Rel'd Date	Aug4,11

TOLERANCE UNLESS OTHERWISE SPECIFIED		DRAWN BY	DATE
DECIMALS	mm	YUGE HU	07-27-11
X	± 0.5	CHECKED BY	DATE
X.X	± 0.3	YUGE HU	07-27-11
X.XX	± 0.1	APPROVED BY	DATE
ANGLES	± 0.5°	LIN MA	07-27-11
		U/M mm	

		TITLE
		STRAIGHT BNC CRIMP PLUG FOR BLEDEN 8218 STYLE CABLE
SHEET 1 OF 1	DRAWING NO. CPMC8818-CUST	SIZE A

THIS DRAWING WAS PRODUCED BY COMPUTER, DO NOT SCALE DRAWING OR UPDATE MANUALLY.

5

4

3

2

1