

ISL8225MEVAL4Z Dual 15A/Optional 30A Cascadable Evaluation Board Setup Procedure

The ISL8225M is a complete, dual step-down switching mode DC/DC module. The dual outputs can easily be paralleled for single-output, high-current use. It is easy to apply this high-power, current-sharing DC/DC power module to power-hungry datacom, telecom, and FPGA applications. All that is needed in order to have a complete, dual 15A design ready for use are the ISL8225M, a few passive components, and V_{OUT} setting resistors.

The simplicity of the ISL8225M is its off-the-shelf, unassisted implementation. Patented current sharing in multi-phase operation greatly reduces ripple currents, BOM costs, and complexity. The ISL8225M has a thermally enhanced, compact 17mm x17mm x 7.5mm QFN package that operates at full load and over-temperature without requiring forced-air cooling. Easy access to all pins, with few external components, reduces PCB design to a component layer and a simple ground layer.

This ISL8225MEVAL4Z evaluation board is designed for dual 15A output applications. Optionally, this board can easily be converted for 30A single output use. Multiple ISL8225MEVAL4Z boards can be cascaded through the SYNC and CLKOUT pins to operate with phase shifting, for paralleling or multiple output use. The input voltage of this board is 4.5V to 20V and the default outputs on this board are set at 1.2V and 1.5V.

Related Resources



Recommended Equipment

- 0V to 20V power supply with at least 5A source current capability
- Electronic load capable of sinking current up to 30A
- Digital multimeters (DMMs)
- 100MHz quad-trace oscilloscope

Quick Start

For dual output operation, the inputs are BA7 (VIN1), BA8 (GND), BA3 (VIN2) and BA4 (GND). The outputs are BA5 (VOUT1), BA6 (GND), BA1 (VOUT2) and BA2 (GND).

For paralleled single output operation, the inputs are BA7 (VIN1) and BA8 (GND). The outputs are BA5 (VOUT1) and BA6 (GND) with BA5 and BA1 shorted.

Dual Output Mode

1. Connect a power supply capable of sourcing at least 5A to the inputs BA7 (VIN1), BA8 (GND), BA3 (VIN2) and BA4 (GND) of the ISL8225MEVAL4Z evaluation board, with a voltage between 4.5V to 20V. VIN1 and VIN2 can be different with R18 and R19 open.
2. Connect an electronic load or the device to be powered to the outputs BA5 (VOUT1) and BA6 (GND), BA1 (VOUT2) and BA2 (GND) of the board. All connections, especially the low voltage, high current V_{OUT} lines, should be able to carry the desired load current and should be made as short as possible.

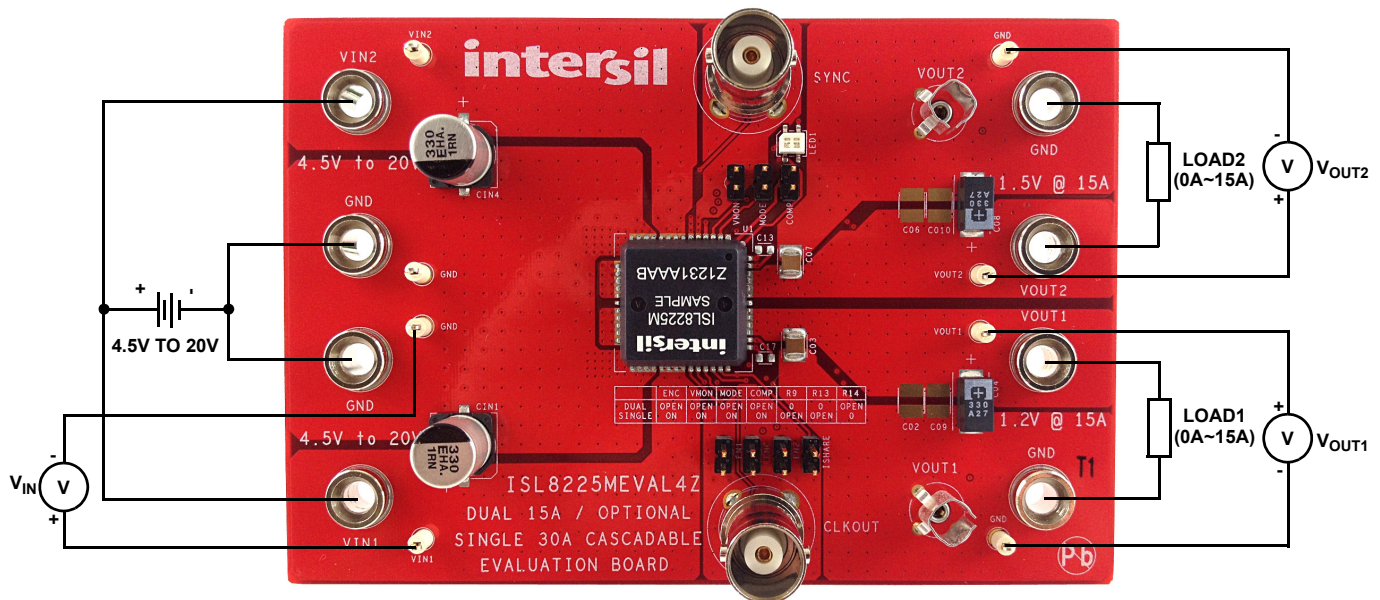


FIGURE 1. ISL8225MEVAL4Z BOARD IMAGE

Application Note 1793

3. Make sure that the setup is connected correctly. Turn on the power supply. If the board is working properly, the green LED will illuminate; if not, the red LED will illuminate (recheck the wire/jumper connections in this case). Measure the output voltages, V_{OUT1} , which should be at 1.2V and V_{OUT2} , which should be at 1.5V
4. If different output voltages are desired, board resistors can be exchanged to provide the desired V_{OUT} . Please refer to Table 1 for R2/R4 resistor values, which can be used to produce different output voltages.

For 12V V_{IN} and V_{OUT} more than 1.5V, the switching frequency will need to be adjusted, as shown in Table 1. The resistor R_{FSET} can be adjusted for the desired frequency. No frequency adjustments are necessary for V_{OUT} below 1.5V. For 5V V_{IN} , the frequency does not need to be adjusted and the module default frequency can be used at any allowed V_{OUT} . If the output voltage is set to more than 1.8V, the output current will need to be derated to allow for safe operation. Please refer to the derating curves in the [ISL8225M datasheet](#).

TABLE 1. VALUE OF BOTTOM RESISTOR (TOP RESISTOR R1, R3 = 1k Ω) AND FREQUENCY SELECTION FOR DIFFERENT OUTPUT VOLTAGES

V_{OUT} (V)	R2 /R4 (Ω)	FREQUENCY (kHz)	R_{FSET} (Ω) ($V_{IN} = 12V$)
1.0	1500	DEFAULT	OPEN
1.2	1000	DEFAULT	OPEN
1.5	665	DEFAULT	OPEN
2.5	316	650	249k
3.3	221	800	124k
5.0	137	950	82.5k
5.5	121	950	82.5k

Optional Paralleled Single Output Mode

1. To set up the parallel mode, short JP1 (ENC), JP2 (VMON) and JP3 (COMP) with a jumper. To set up 180° interleaving phase between 2 channels, short the MODE pin and GND pin of JP6 with a jumper.
2. Remove R9 and R13. Change R14 to 0 Ω . Change R18 and R19 to 0 Ω . Short VOUT1 to VOUT2 using short wires or copper straps. Add C2 for a 470pF capacitor.
3. Connect a power supply capable of sourcing at least 5A to the inputs BA7 (VIN1), BA8 (GND), BA3 (VIN2) and BA4 (GND) of the ISL8225MEVAL4Z evaluation board, with a voltage between 4.5V to 20V. VIN1 and VIN2 need to be shorted together.
4. Connect an electronic load or the device to be powered to the outputs BA5 (VOUT1) and BA6 (GND) of the board. All connections, especially the low voltage, high current V_{OUT} lines, should be able to carry the desired load current and should be made as short as possible.
5. Make sure the setup is connected correctly prior to applying any power to the board. Adjust the power supply to 12V and turn on the input power supply. If the board is working properly, the green LED will illuminate; if not, the red LED will illuminate (recheck the

wire/jumper connections in this case). Measure the output voltages, V_{OUT1} , which should be at 1.2V.

6. Apply any load that is less than 30A for normal steady state operation. Refer to Table 1 to change the output voltage by changing resistor R2.

TABLE 2. BOARD CONFIGURATION FOR SINGLE OUTPUT 30A APPLICATION

	ENC	VMON	MODE	COMP	R9	R13	R14
Dual	OPEN	OPEN	OPEN	OPEN	0	0	OPEN
Single	ON	ON	ON	ON	OPEN	OPEN	0

Optional Cascadable Mode

Cascadable mode is needed when multiple evaluation boards are used for paralleling or multiple output use. To demo the parallel features, it is recommended to use ISL8225MEVAL2Z 6-phase evaluation board for an easy and efficient setup (see [AN1789](#)). Otherwise, follow the steps shown below:

1. In order to generate CLKOUT at a shifted phase clock signal, the control loop of VOUT2 needs to be disabled by connecting VSEN2- to VCC.
2. Program MODE and VSEN2+ pin voltages to set the CLKOUT signal and the shifted degrees between two phases on the board (refer to Table 3).
3. Use a coaxial cable to connect CLKOUT (J5) to SYNC (J2) of the next evaluation board, which can be programmed for parallel or dual output use.
4. If the second board is programmed for parallel use, the ISHARE pins of the first and second boards need to be tied together. Using two twisted wires, short two different jumpers of JP7 (ISHARE/SGND) on two evaluation boards. Add 1nF capacitors of C14 for different boards to decouple the noise.
5. If the third board is used in cascadable mode, the second board can only be used in the parallel mode to generate the CLKOUT signal for the SYNC pin on the third board.
6. Follow the instructions from Steps 1 through 5 for more cascadable boards.

Evaluation Board Information

The evaluation board size is 114.3mm x 76.2mm. It is a 4-layer board, containing 2-ounce copper on the top and bottom layers and 1-ounce copper on all internal layers. The board can be used as a dual 15A reference design. Refer to "Layout" on page 6. The board is made of FR4 material and all components, including the solder attachment, are lead-free.

Thermal Considerations and Current Derating

For high current applications, board layout is very critical in order to make the module operate safely and deliver maximum allowable power. To carry large currents, the board layout needs to be designed carefully to maximize thermal performance. To achieve this, select enough trace width, copper weight and the proper connectors.

This evaluation board is designed for running dual 15A at room temperature without additional cooling systems needed.

Application Note 1793

However, if the output voltage is increased or the board is operated at elevated temperatures, then the available current is derated. Refer to the derated current curves in the [datasheet](#) to determine the output current available.

For layout of designs using the ISL8225M, the thermal performance can be improved by adhering to the following design tips:

1. Use the top and bottom layers to carry the large current. VOUT1, VOUT2, Phase 1, Phase 2, PGND, VIN1 and VIN2 should have large, solid planes. Place enough thermal vias to connect the power planes in different layers under and around the module.
2. Phase 1 and Phase 2 pads are switching nodes that generate switching noise. Keep these pads under the module. For noise-sensitive applications, it is recommended to keep phase pads only on the top and inner layers of the PCB; do not place phase pads exposed to the outside on the bottom layer of the PCB. To improve the thermal performance, the phase pads can be extended in the inner layer, as shown in Phase 1 and Phase 2 pads on layer 2 (Figure 5) for this dual 15A evaluation board. Make sure that layer 1 and layer 3 have the GND layers to cover the extended areas of phase pads at layer 2 to avoid noise coupling.
3. Place the modules evenly on the board and leave enough space between modules. If the board space is limited, try to put the modules with low power loss closely together (i.e. low V_{OUT} or I_{OUT}) while still separating the module with high power loss.
4. If the ambient temperature is high or the board space is limited, airflow is needed to dissipate more heat from the modules. A heat sink can also be applied to the top side of the module to further improve the thermal performance (heat sink recommendation: Aavid Thermalloy, part number 375424B00034G, www.aavid.com).

Application Note 1793

TABLE 3. ISL8225M OPERATION MODES

1ST MODULE (I = INPUT; O = OUTPUT; I/O = INPUT AND OUTPUT, BI-DIRECTION)										MODES OF OPERATION		OUTPUT (SEE DESCRIPTION FOR DETAILS)
MODE	EN1/FF1 (I)	EN2/FF2 (I)	VSEN2- (I)	MODE (I)	VSEN2+ (I)	CLKOUT/REFIN WRT 1 ST (I OR O)	VMON2 (Note 2)	VMON1 OF 2 ND MODULE (Note 2)	2 ND CHANNEL WRT 1 ST (O) (NOTE 1)	OPERATION MODE OF 2 ND MODULE	OPERATION MODE OF 3 RD MODULE	
1	0	0	-	-	-	-	-	-	-	-	-	Disabled
2A	0	1	Active	Active	Active	-	Active	-	VMON1 = VMON2 to Keep PGOOD Valid	-	-	Single Phase
2B	1	0	-	-	-	-	-	-	VMON1 = VMON2 to Keep PGOOD Valid	-	-	Single Phase
3A	1	1	<V _{CC} -0.7V	Active	Active	29% to 45% of V _{CC} (I)	Active	-	0°	-	-	Dual Regulator
3B	1	1	<V _{CC} -0.7V	Active	Active	45% to 62% of V _{CC} (I)	Active	-	90°	-	-	Dual Regulator
3C	1	1	<V _{CC} -0.7V	Active	Active	>62% of V _{CC} (I)	Active	-	180°	-	-	Dual Regulator
4	1	1	<V _{CC} -0.7V	Active	Active	<29% of V _{CC} (I)	Active	-	-60°	-	-	DDR Mode
5A	1	1	V _{CC}	GND	-	60°	VMON1 or Divider	-	180°	-	-	2-Phase
5B	1	1	V _{CC}	GND	-	60°	Divider	Divider	180°	5B	5B	6-Phase
5C	1	1	V _{CC}	GND	-	60°	VMON1 or Divider	Active	180°	5C	5C	3 Outputs
6	1	1	V _{CC}	V _{CC}	GND	120°	1kΩ	Active	240°	2B	-	3-Phase
7A	1	1	V _{CC}	V _{CC}	V _{CC}	90°	1kΩ	Divider	180°	7A	-	4-Phase
7B	1	1	V _{CC}	V _{CC}	V _{CC}	90°	1kΩ	Active	180°	7B	-	2 Outputs (1 st module in Mode 7A)
7C	1	1	V _{CC}	V _{CC}	V _{CC}	90°	1kΩ	Active	180°	3, 4	-	3 Outputs (1 st module in Mode 7A)
8	Cascaded Module Operation MODEs 5B+5B+7A+5B+5B+5B/7A, No External Clock Required											12-Phase
9	External Clock or External Logic Circuits Required for Equal Phase Interval											5, 7, 8, 9, 10, 11, or (PHASE >12)

NOTE:

1. "2ND CHANNEL WRT 1ST" means "second channel with respect to first;" in other words, Channel 2 lags Channel 1 by the degrees specified in this column. For example, 90° means Channel 2 lags Channel 1 by 90°; -60° means Channel 2 leads Channel 1 by 60°.
2. "VMON1" means that the pin is tied to the VMON1 pin of the same module.
 "Divider" means that there is a resistor divider from VOUT to SGND; refer to Figure 24 in the [ISL8225M datasheet](#).
 "1kΩ" means that there is a 1kΩ resistor connecting the pin to SGND; refer to Figure 22 in the [ISL8225M datasheet](#).

ISL8225MEVAL4Z Board Schematic

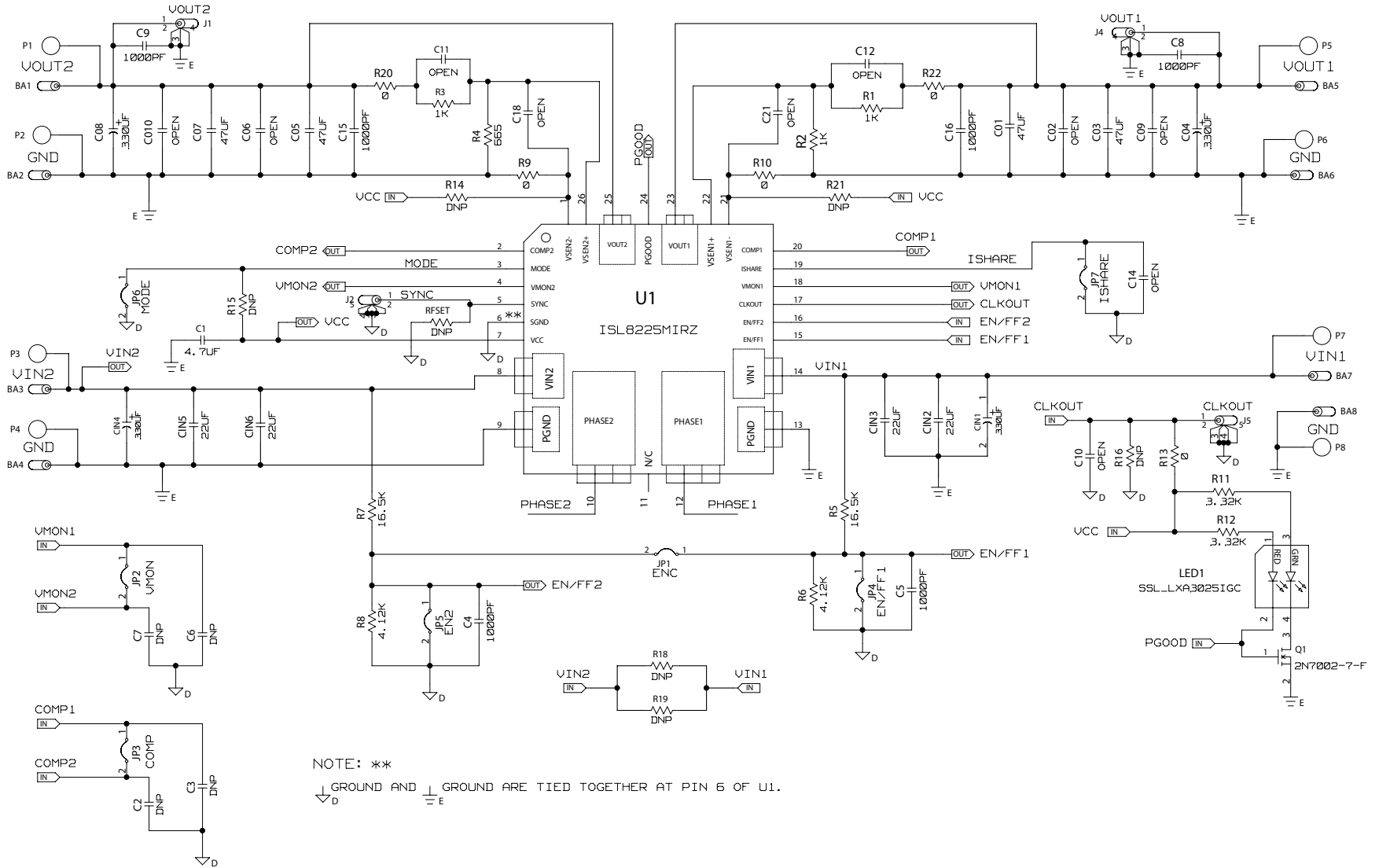


FIGURE 2. ISL8225MEVAL4Z BOARD SCHEMATIC

Layout (Continued)

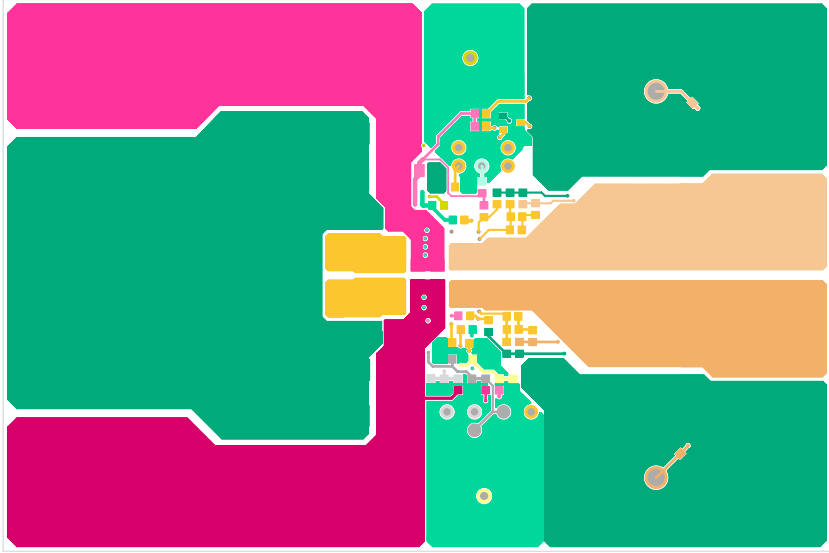


FIGURE 7. BOTTOM LAYER SOLDER SIDE

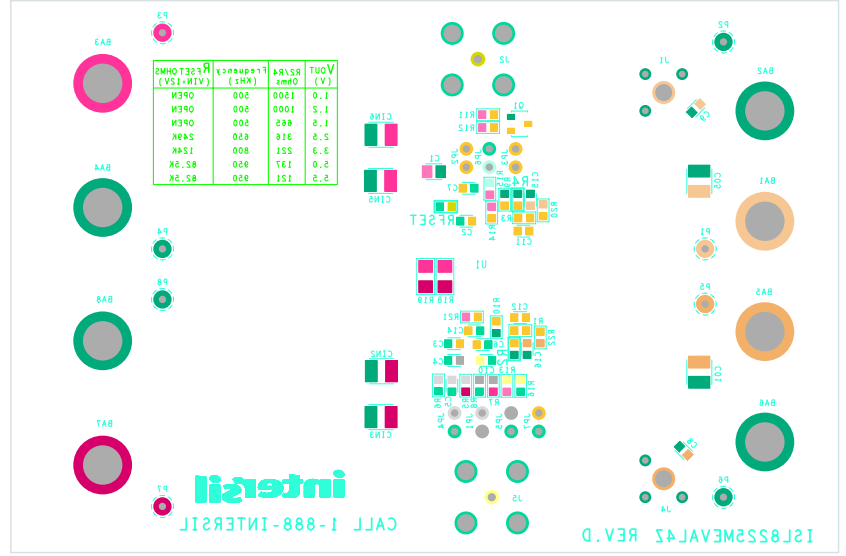


FIGURE 8. BOTTOM SILK SCREEN

Bill of Materials

PART NUMBER	REF DES	QTY	VALUE	TOL.	VOLTAGE	POWER	PACKAGE TYPE	JEDEC TYPE	MANUFACTURER	DESCRIPTION
10TPB330M	C04, C08	2	330µF	20%	10V		SMD	CAP_7343_149		
131-4353-00	J1, J4	2					CONN	TEK131-4353-00		
2N7002-7-F	Q1	1					SOT23	SOT23		
31-5329-52RFX	J2, J5	2					CONN	CON_BNC_31_5329_52RFX		
5002	P1-P8	8					THOLE	MTP500X		
575-4	BA1-BA8	8					CONN	CON_BAN_575		
EEVHA1E331UP	CIN1, CIN4	2	330µF	20%	25V		SMD	CAPAE_315X402		
GRM21BR71C475KA73L	C1	1	4.7µF	10%	16V		805	CAP_0805	Murata	Ceramic Capacitor
GRM32ER71A476KE15L	C01, C03, C05, C07	4	47µF	10%	10V		1210	CAP_1210	Murata	Ceramic Chip Capacitor
H1045-OPEN	C2, C3, C6, C7	4	OPEN	5%	OPEN		603	CAP_0603	Generic	Multilayer Capacitor
H1045-00102-16V10	C15, C16	2	1000pF	10%	16V		603	CAP_0603	Generic	Multilayer Capacitor
H1045-00102-50V10	C4, C5, C8, C9	4	1000pF	10%	50V		603	CAP_0603	Generic	Multilayer Capacitor
H1045-OPEN	C10, C11, C12, C14	6	OPEN	5%	OPEN		603	CAP_0603	Generic	Multilayer Capacitor
H1082-OPEN	C02, C06, C09, C010	4	OPEN	10%	OPEN		1210	CAP_1210	Generic	Ceramic Chip Capacitor
H2505-DNP-DNP-1	R14-R16, R21, RFSET	5	DNP	1%		DNP	603	RES_0603		
H2511-00R00-1/16W1	R9, R10, R13, R17, R20	5	0Ω	1%		1/16W	603	RES_0603		
H2511-01001-1/16W1	R1, R2, R3, R6, R8	4	1kΩ	1%		1/16W	603	RES_0603		
H2511-03321-1/16W1	R11, R12	2	3.32kΩ	1%		1/16W	603	RES_0603		
H2511-16501-1/16W1	R5, R7	2	16.5kΩ	1%		1/16W	603	RES_0603		
H2511-04121-1/16W1	R6, R8	2	4.12kΩ	1%		1/16W	603	RES_0603		
H2511-06650-1/16W1	R4	1	665Ω	1%		1/16W	603	RES_0603		
H2512-OPEN	R18, R19	2	OPEN	0%		1/10W	805	RES_0805		
ISL8225MIRZ	U1	1					QFN	QFN26_670X670_ISL8225M		
JUMPER2_100	JP1-JP7	7					THOLE	JUMPER-1		
SSL-LXA3025IGC	LED1	1					SMD	LED_3X2_5MM		
TMK325B7226MM-TR	CIN2, CIN3, CIN5, CIN6	4	22µF	20%	25V		1210	CAP_1210	Taiyo Yuden	Ceramic Chip Capacitor

ISL8225MEVAL4Z Efficiency Curves

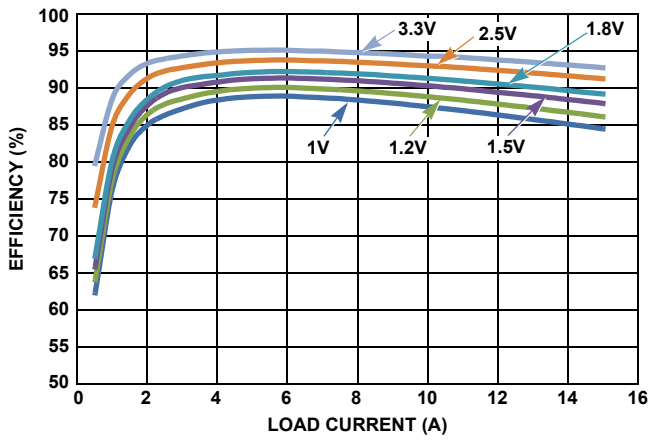


FIGURE 9. EFFICIENCY vs LOAD CURRENT (5V_{IN} AT 500kHz)

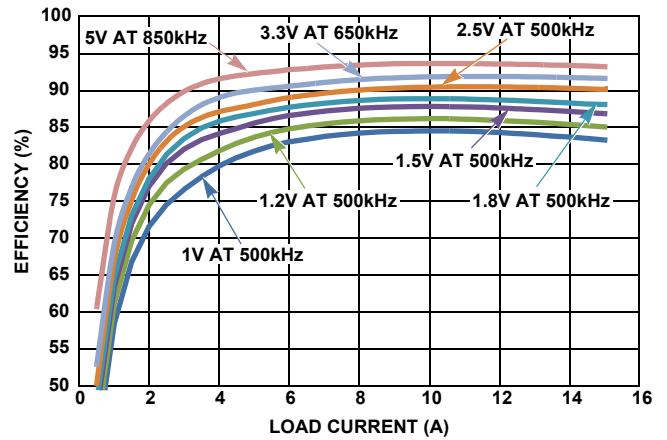


FIGURE 10. EFFICIENCY vs LOAD CURRENT (12V_{IN})

Intersil Corporation reserves the right to make changes in circuit design, software and/or specifications at any time without notice. Accordingly, the reader is cautioned to verify that the Application Note or Technical Brief is current before proceeding.

For information regarding Intersil Corporation and its products, see www.intersil.com